

ITEM #0000187

ROUND TOILET

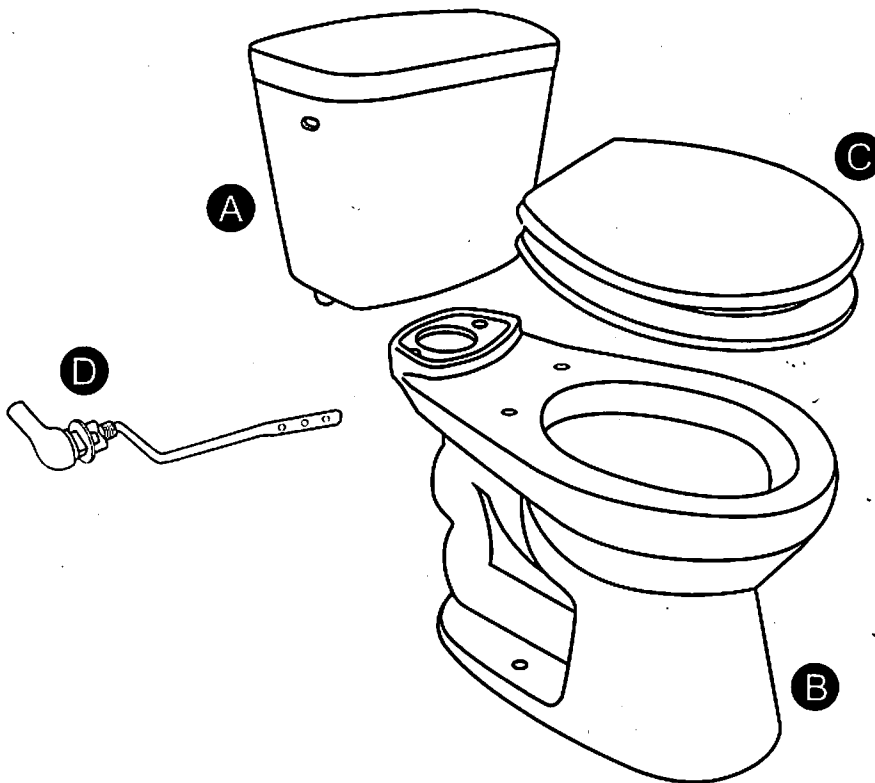
MODEL #AIO250RW-LO

AquaSource™

Français p. 9

Español p. 18

PACKAGE CONTENTS



Part	Description	Quantity
A	Tank with Cover	1
B	Toilet Bowl	1

Part	Description	Quantity
C	Seat with Lid	1
D	Tank Lever Handle Assembly	1



Questions, problems, missing parts? Before returning to your retailer, call our customer service department at 1-800-443-1410, 9 a.m.- 5:30 p.m., EST, Monday-Friday.

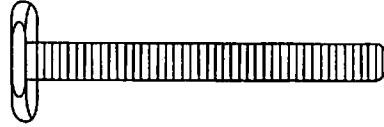
HARDWARE CONTENTS

Part Description Quantity Picture (Actual size unless otherwise indicated)

AA

Floor Bolt

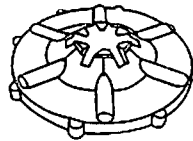
2



BB

Plastic Retaining Washer

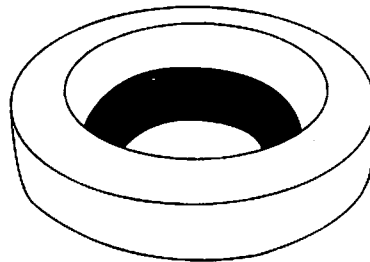
2



CC

Wax Ring

1

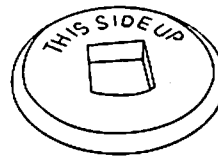


Shown smaller than actual size

DD

Plastic Disc

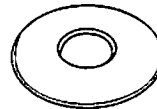
2



EE

Metal Washer

2



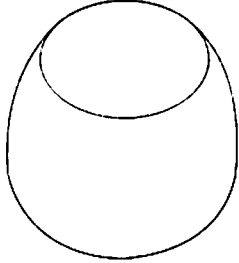
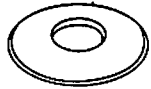
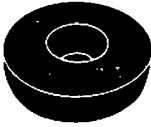
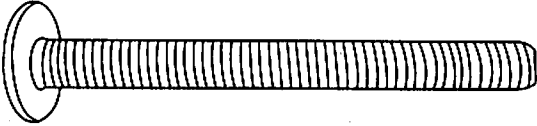

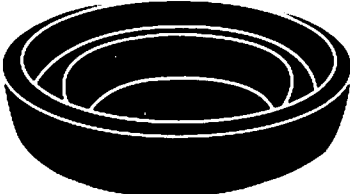
FF

Nut


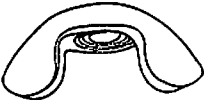
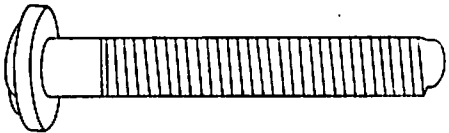
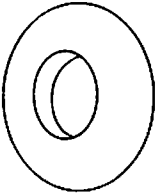
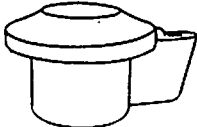
2



HARDWARE CONTENTS

Part	Description	Quantity	Picture (Actual size unless otherwise indicated)
GG	Bolt Cap	2	
HH	Brass Washer	4	
II	Rubber Washer	2	
JJ	Bolt	2	
KK	Hex Nut	2	
LL	Rubber Sealing Gasket	1	 Shown smaller than actual size

HARDWARE CONTENTS

Part	Description	Quantity	Picture (Actual size unless otherwise indicated)
MM	Oval Metal Washer	2	
NN	Wing Nut	2	
OO	Lock Bolt	2	
PP	Toilet Seat Washer	2	
QQ	Lock Nut	2	

⚠ WARNINGS AND CAUTIONS

- Handle with care. Vitreous chinaware is glass-like with sharp edges if broken. Do not drop, handle roughly or overtighten bolts.
- Risk of hazardous gases. If new toilet is not installed immediately, temporarily plug floor flange hole with a towel (or cover) to block sewer gases from escaping.
- Observe local plumbing and building codes.

PREPARATION

Before beginning installation of product, make sure all parts are present. Compare parts with package contents list and diagram above. If any part is missing or damaged, do not attempt to assemble, install or operate the product. Contact customer service for replacement parts.

Estimated Assembly Time: 60 minutes

Tools Required for Assembly and Installation (not included): Toilet Water Supply Line, Adjustable Wrench, Putty Knife, Flathead Screwdriver, Hacksaw, Carpenters Level.

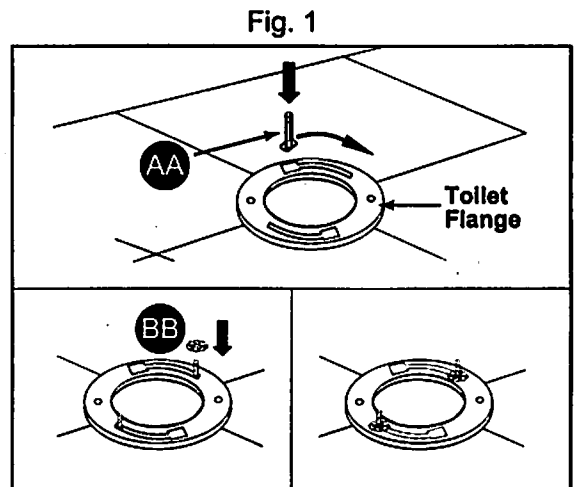
ASSEMBLY INSTRUCTIONS

Remove Old Toilet

- Turn off water supply and flush tank completely. Towel or sponge remaining water from tank and bowl.
- Disconnect and remove old water supply line.
- Remove tank from bowl by removing old tank-to-bowl hardware.
- Remove bowl from floor by removing bolt caps and floor bolt nuts.
- Remove floor bolts from toilet flange and clean old wax, putty and sealant from base area. (Temporarily plug floor flange with a towel or cover to block sewer gases from escaping.)
- **NOTE: MOUNTING SURFACE MUST BE CLEAN AND LEVEL BEFORE NEW TOILET IS INSTALLED.**

1. Install Floor Bolts (AA), (Fig. 1)

- Insert new floor bolts (AA) into the toilet flange (not included) with bolt heads down and threaded ends facing up (use plastic retaining washers (BB) to hold bolts in full-length, upright position).
- Floor bolts (AA) should be parallel to wall and 6 inches apart.



2. Install Wax Ring (CC), (Fig. 2)

- Turn toilet bowl (B) upside down onto a towel or cushioned surface. With the rounded (tapered) end of the ring facing the toilet, place the wax ring (CC) around the raised outlet ring of the bowl (B), and press firmly enough so the wax ring (CC) adheres to the bowl (B).

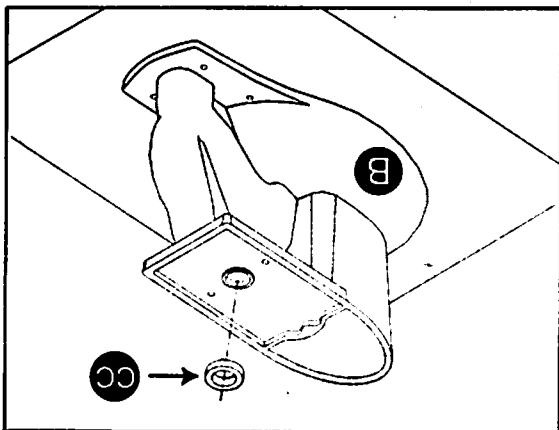


Fig. 2

3. Position Toilet Bowl (B) on Toilet Flange, (Fig. 3)

- Unplug waste opening in toilet flange. Gently place toilet bowl (B) (right side up) in position with the floor bolts (AA) protruding up through the bowl (B) as it is lowered onto the toilet flange.
- Once toilet bowl (B) is in position, press down with a slight twisting motion on the top center of the bowl (B) eventually applying full body weight to evenly compress the wax ring (CC) creating a water-tight seal. (Do not rock the bowl back-and-forth as this may break the seal.)
- Make sure the toilet bowl (B) is as level as possible. It may be necessary to use small wedges (shims) under the edge of the bowl due to slight variations in vitreous china ware or uneven floors. (Toilet bowl (B) should be firmly seated on the floor, so it does not wobble or rock.)

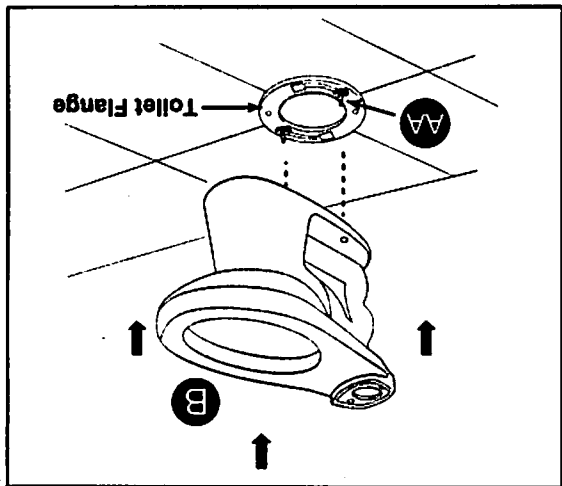


Fig. 3

4. Secure Bowl to Floor, (Fig. 4)

- Place plastic disc (DD) (Note: "THIS SIDE UP"), metal washers (EE) and nuts (FF) on floor bolts (AA). Alternately tighten nuts (FF) until toilet bowl (B) is firmly seated on floor.
- **DO NOT OVERTIGHTEN NUTS (FF) BECAUSE VITREOUS CHINA CAN EASILY CRACK OR CHIP.**
- Pour water into toilet bowl (B) to prevent the escape of sewer gases.
- Using a hacksaw, cut off excess length of floor bolts (AA) so bolt caps (GG) will fit. (Leave no more than 1/4-in length above nuts (FF)). Place bolt caps (GG) over floor bolts (AA) and press down for secure fit.

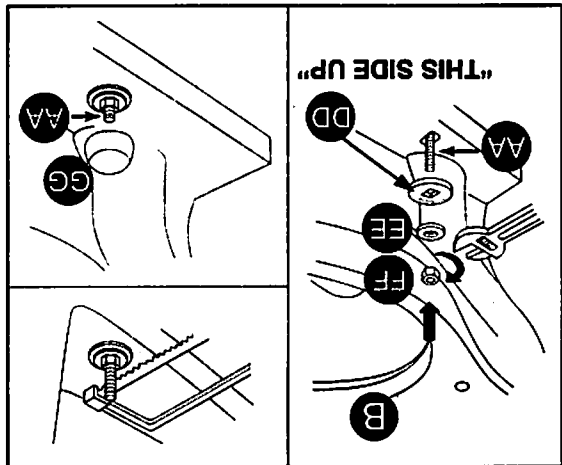
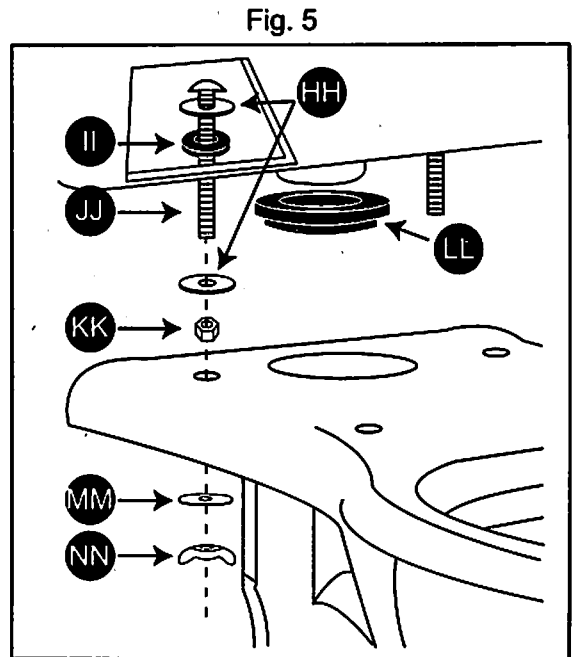


Fig. 4

ASSEMBLY INSTRUCTIONS

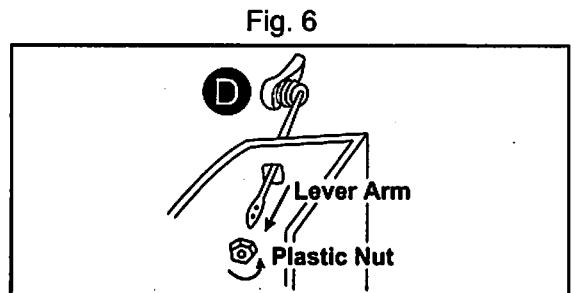
5. Install Tank (A), (Fig. 5)

- Place brass washer (HH) followed by rubber washer (II) onto bolt (JJ). Insert bolt (JJ) with washers through hole inside the tank (A).
- Place brass washer (HH) followed by hex nut (KK) onto bolt (JJ) protruding from bottom of tank (A). Tighten hex nut (KK) to create a proper and secure seal.
- Attach rubber sealing gasket (LL) to center drain hole under tank (A).
- Gently place tank (A) on toilet bowl (B) with bolts (JJ) protruding underneath.
- Place oval metal washer (MM) followed by wing nut (NN) onto the protruding bolt (JJ).
- Tighten wing nut (NN) enough so that the tank (A) sits flat on the toilet bowl (B).
- Make sure the toilet tank (A) is parallel to the wall and straight on the toilet bowl (B).
- **CAUTION: DO NOT OVERTIGHTEN NUTS. SEVERE DAMAGE MAY OCCUR.**



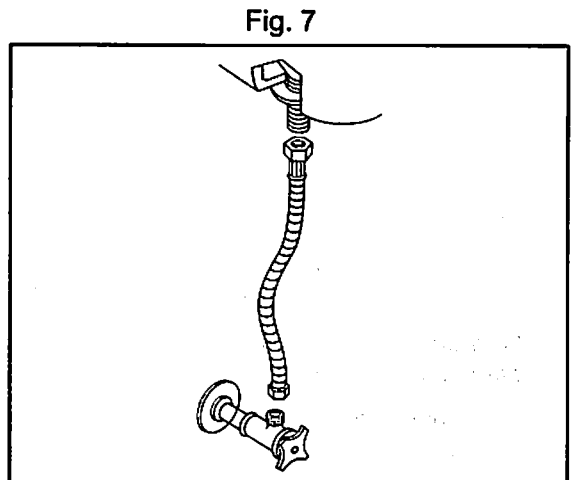
6. Install Tank Lever Handle Assembly (D), (Fig. 6)

- Turn clockwise to remove plastic nut (pre-assembled) from the lever arm.
- Insert lever arm through the hole on the left side of tank. Screw the plastic nut (pre-assembled) counterclockwise to tighten it.
- Hook the chain onto the lever. With the lever at rest, the chain should only be long enough for flapper to close.



7. Connect the Water Supply Line, (Fig. 7)

- Connect the water supply line (not included) between the tank (A) and shut-off valve.
- Tighten the tank connection coupling nut $\frac{1}{4}$ turn beyond hand tight. (**DO NOT OVERTIGHTEN THE TANK CONNECTION.**)
- Turn on supply valve and allow tank (A) to fill.
- Check for leakage at all connections and tighten or correct as needed.



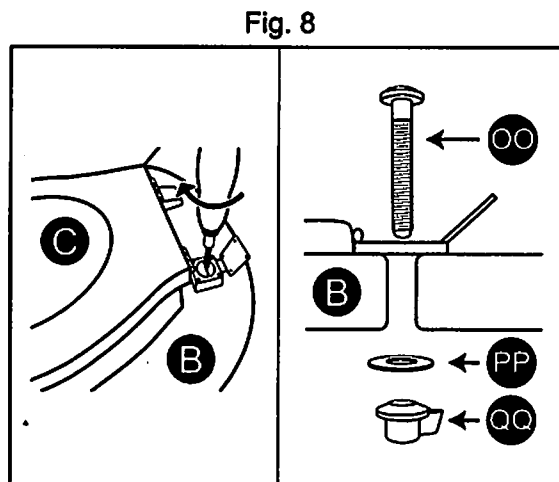
ASSEMBLY INSTRUCTIONS

8. Install Seat with Lid (C), (Fig. 8)

- Place the seat (C) on the toilet, aligning the holes of the seat with the holes in the back of the toilet bowl (B).
- Insert the lock-bolt (OO) through the holes. Place the toilet seat washer (PP) on the lock-bolt (OO) from underneath the toilet bowl (B).
- Secure the lock-bolt (OO) with the lock-nut (QQ) from underneath the toilet bowl (B), with the lock-nut's tapered end on top, using a flathead screwdriver to tighten the lock-bolt (OO).

CAUTION: DO NOT OVERTIGHTEN THE LOCK-BOLT (OO), AS IT MAY DAMAGE THE SEAT (C).

- Push the decorative cap down.



CARE AND MAINTENANCE

Your new toilet is made of stain-, acid- and abrasion-resistant vitreous china. Clean the outside surface with mild soap, warm water and a soft cloth. On stubborn stains use a powdered detergent and damp sponge or nylon scouring pad. Never use abrasive scouring powders, cleansers or pads because they will scratch, damage and dull the surface. **WARNING: DO NOT USE IN-TANK CLEANERS.** Products containing chlorine (calcium hypochlorite) can seriously damage tank fittings potentially causing leaks, excessive water use and property damage. The manufacturer shall not be responsible or liable for any tank fitting damage caused by the use of cleaners containing chlorine (calcium hypochlorite).

When cleaning your toilet seat, wash it with mild soapy water. Rinse seat thoroughly with clean water and dry with a soft cloth. Avoid detergents, disinfectants or cleaning products in aerosol cans. **NEVER** use abrasive scouring powders on your seat. Some bathroom chemicals and cosmetics may cause damage to the seat's finish, so test your cleaning solution on an inconspicuous area before applying to the entire surface.

1 YEAR WARRANTY

The manufacturer provides a 1 YEAR WARRANTY for its vitreous china plumbing fixtures to be free of manufacturing defects in material and workmanship. This warranty is not transferable.

The manufacturer, at its election, may repair, replace or make appropriate adjustments where inspection discloses any such defects occurring in normal usage.

No warranty is given for installation mistakes, water damage or misuse. For a long-lasting finish, take care in maintaining the product.

The manufacturer's obligation shall be limited to such repair and or replacement. Purchaser shall be responsible for all shipping charges for returned product. This warranty gives you specific legal rights, and you may have other rights that vary from state to state.

To obtain warranty service, contact 1-800-443-1410.

Printed in China