

AquaSource®

AquaSource® is a registered trademark of LF, LLC. All Rights Reserved.

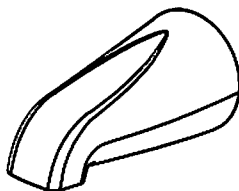
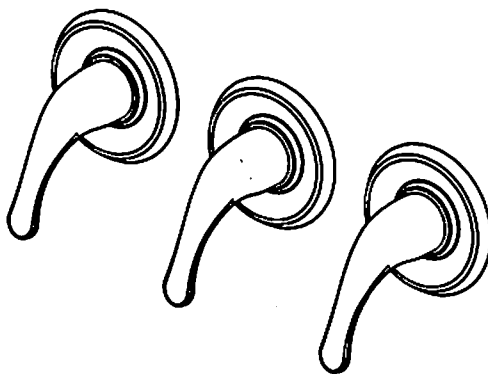
ITEM #0163756

CHROME FINISH THREE HANDLE TUB & SHOWER FAUCET

MODEL#F3014503CP

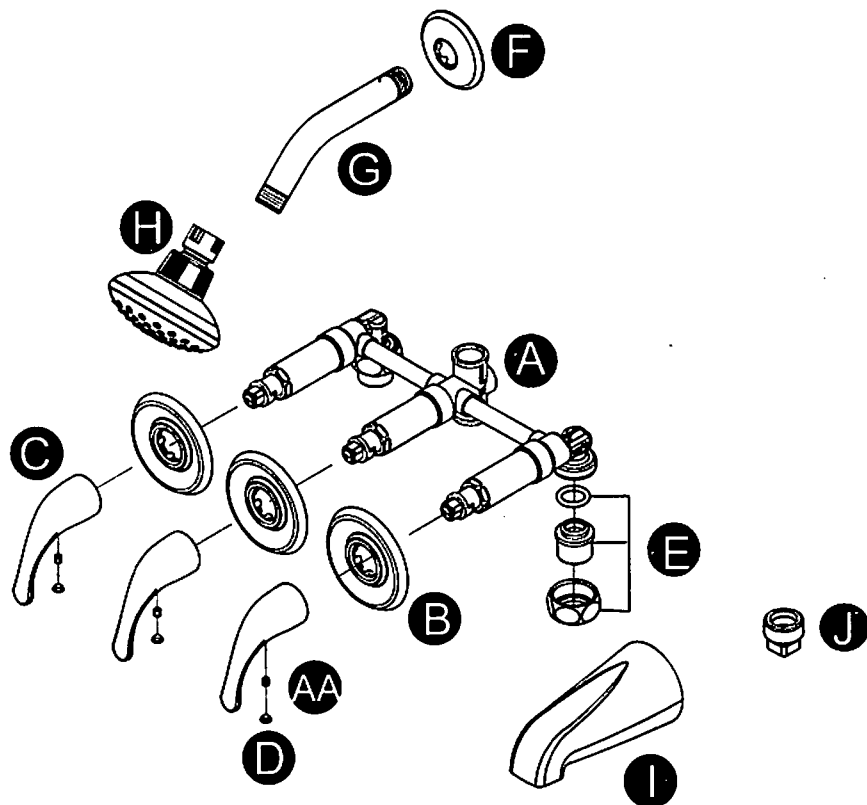
Français p. 09

Español p. 17



Questions, problems, missing parts? Before returning to your retailer, call our customer service department at 1-866-538-5535, 8 a.m. - 8 p.m., EST, Monday - Friday, 9 a.m. - 6 p.m., EST, Saturday.

PACKAGE CONTENTS



Part	Description	Quantity
A	Valve Body	1
B	Escutcheon	3
C	Metal Handle	3
D	Handle Cap	3
E	Supply Nut Insert	2
F	Shower Arm Flange	1
G	Shower Arm	1
H	Showerhead	1
I	Spout	1
J	Plug	1
AA	Short Screw	3

HARDWARE CONTENTS

Part Description Quantity Picture (show to size)

AA

Short Screw

1



WARNINGS AND CAUTIONS

- Follow these installation instructions carefully. Proper installation is the installer's responsibility.
- Check local building codes before beginning installation to ensure compliance.
- The fittings should be installed by the licence plumber of the state.

IMPORTANT POINTS:

NOISE AND WATER HAMMER IN PEX SYSTEMS

As with all plumbing materials under some operating conditions, water hammer can occur in PEX plumbing systems. The inherent flexibility of PEX drastically reduces the magnitude of pressure surges compared with metallic plumbing materials. Damage to plumbing components in a PEX system due to these pressure surges is highly unlikely, although noise can sometimes result. Fortunately, there are solutions to minimize or eliminate water hammer noise.

Clamping or strapping more frequently may help prevent tubing noise. It is very important that the tubing not be in contact with wallboard, forced air ducts or other high resonance articles. Insufficiently or improperly clamped or strapped tubing may move during fixture operation and hit against these surfaces.

Install a water hammer arrester at fixtures where noise is a problem. A water hammer arrester installed within 6 feet to the fixture on the cold water side only will eliminate the source of the noise: the pressure wave. It should be noted that even with an arrester, tubing which is clamped or strapped insufficiently may still hit against something as it moves slightly when the water flow is stopped.

Avoid operating fixtures in such a way that causes near instantaneous shut off. Simply closing fixtures in a less abrupt manner can eliminate hammer noise.

PREPARATION

Before beginning assembly, installation or operation of product, make sure all parts are present. Compare parts with package contents list and diagram above. If any part is missing or damaged, do not attempt to assemble, install or operate the product. Contact customer service for replacement parts.

Estimated Assembly Time: 40 minutes

Tools Required for Assembly (not included): Pipe tape, Screwdriver, Adjustable wrench.



ASSEMBLY INSTRUCTIONS

1. Shut off main water supply before installation.

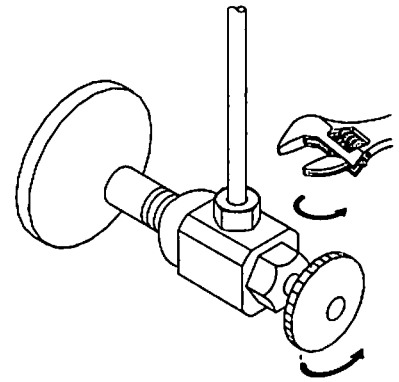


Fig.1

2. Attach hot and cold supplies to handle valves of the valve body (A). Use pipe tape on all pipe threads.

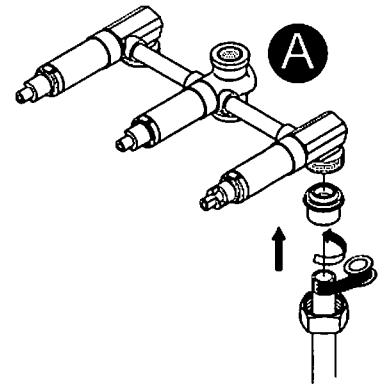


Fig.2

3. Attach shower vertical pipe and elbow.

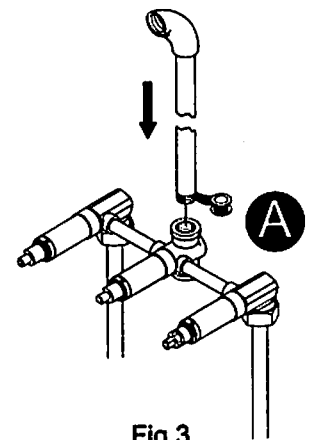


Fig.3

4A. For Tub and Shower Faucet Installation

Attach tub vertical pipe and elbow.

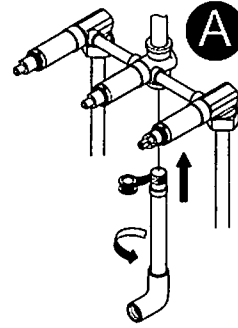


Fig.4A

4B. For Shower Only Installation

Install the plug (J) onto the bottom (unused) port.

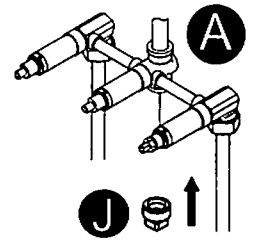


Fig.4B

5. Install stub-out pipe for spout (I). Use proper length stub-out pipe so the pipe threads will extend 3 3/4 in. to 4 in. .

Stub-out pipe for spout installation must be at the length illustrated measured from the finished wall surface.

Note: Purchase stub-out pipe separately.

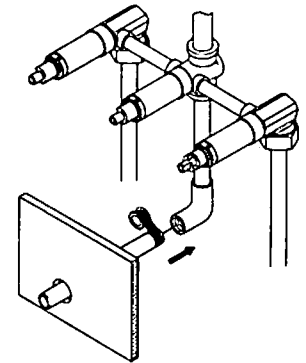


Fig.5

6. Wrap stub-out pipe with pipe tape and install tub spout (I).

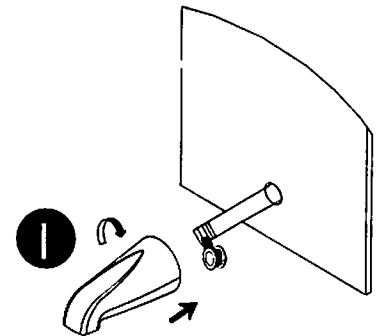


Fig.6

7. Install escutcheons (B) and metal handles (C), secure with screws (AA), install handle caps (D).

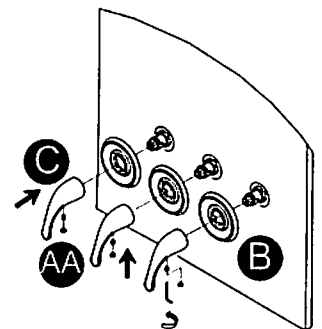


Fig.7

8. Wrap shower arm (G) threads with pipe tape and install shower arm (G) and flange (F).

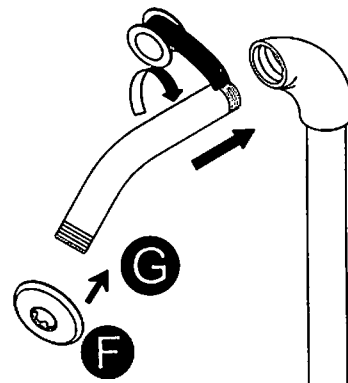


Fig.8

9. Turn on water slightly. Flush system. Turn off water. Screw on and adjust showerhead (H).

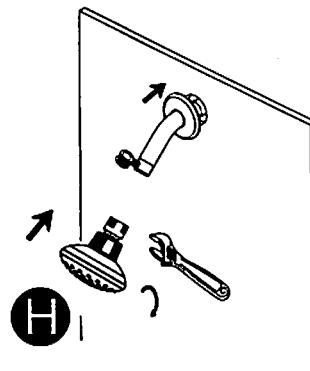


Fig.9

10. Turn on water, check for leaks.

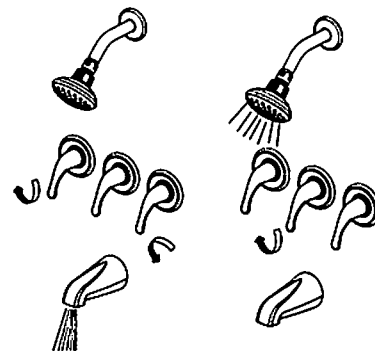


Fig.10

CARE AND MAINTENANCE

- To protect and maintain the finish of your faucet, clean only with a soft, damp cloth.
- Do not use a detergent or cleanser that may harm the finish.

TROUBLESHOOTING

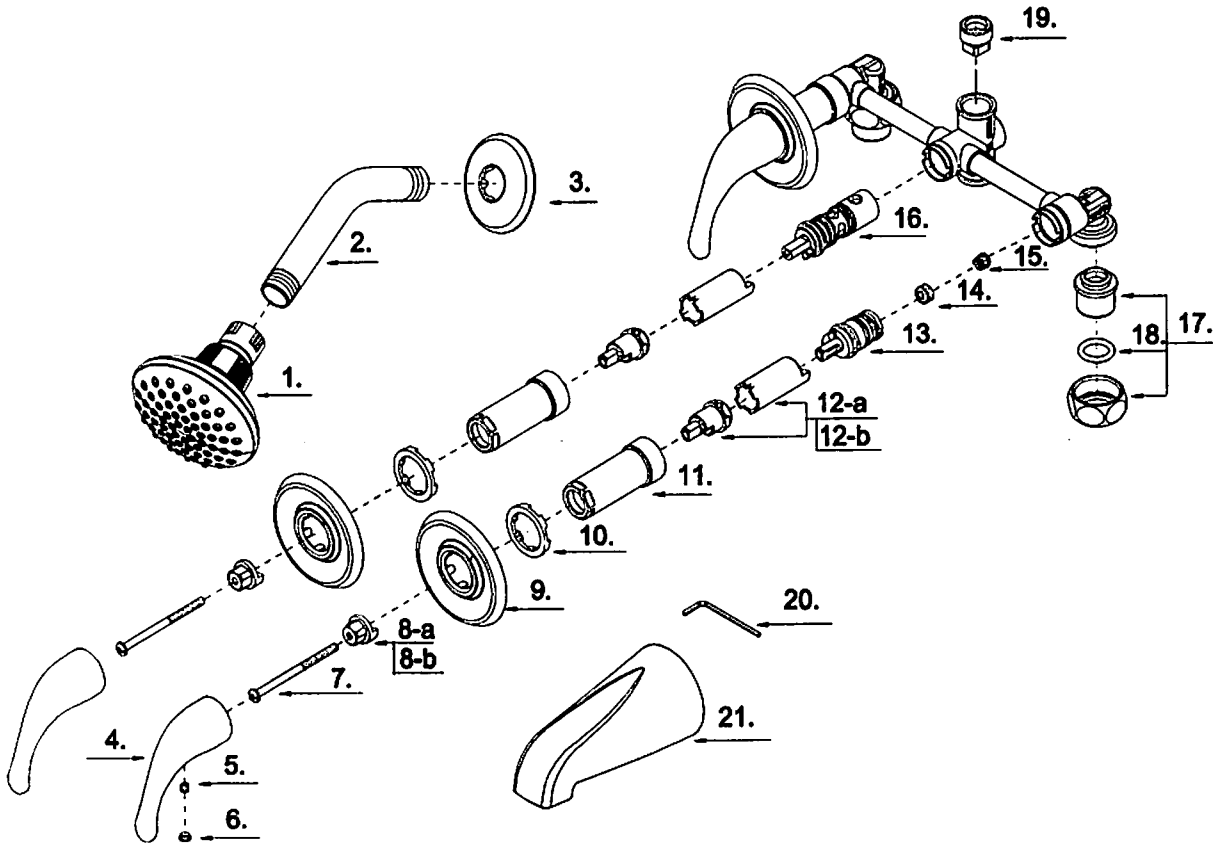
Problem	Possible Cause	Corrective Action
Leak from under handle.	Retainer nut has come loose. O-ring on cartridge is dirty or damaged.	Tighten the retainer nut. Clean or replace o-ring.
Water will not shut off completely.	Rubber valve seat is dirty or broken.	Remove handle and cartridge to check rubber valve seat. Clean or replace it.
Water temperature can not be adjusted by limiting device, or no hot or cold water.	Dirty balance spool.	Turn off water supply. Unscrew the balance spool and remove piston and clean with a brush and vinegar water for both parts.

WARRANTY

The manufacturer warrants this faucet to be free from defects in workmanship and material present at time of shipment from the factory for a limited lifetime from the date of purchase. This warranty applies only to the original purchaser. The manufacturer agrees to correct such defects at no charge or, at our option, replace the faucet with a comparable or superior model. To obtain warranty service, call our customer service department at 1-866-538-5535 for return authorization and shipping instructions. You may be required to present a copy of your sales receipt as proof of purchase. All cost of removal and reinstallation are the expressed responsibility of the purchaser. Any damage to the faucet by accident, misuse or improper installation, or by affixing accessories not produced by the manufacturer, are the purchaser's responsibility. The manufacturer assumes no responsibility whatsoever for faucet installation during the warranty period. There is no further expressed warranty. The manufacturer disclaims any and all implied warranties. The manufacturer shall not be liable for incidental, consequential or special damages arising at or in connection with product use or performance except as may otherwise be accorded by law. This warranty gives you specific legal rights, and you may also have other rights which vary from state to state. This warranty supersedes all prior warranties.

REPLACEMENT PARTS LIST

For replacement parts, call our customer service department at 1-866-538-5535.



Part	Description	Part #
1	Showerhead	S1211G05
2	Shower Arm	A020002-S
3	Shower Arm Flange	A019001-C
4	Metal Handle	A069891
5	Short Screw	A008005
6	Handle Cap	A028623
7	Long Screw	A008085
8-a	Handle Adaptor-Cold	A110114C
8-b	Handle Adaptor-Hot	A110114H
9	Escutcheon	A019003-S
10	Escutcheon Seal	A010024
11	Sleeve	A216106
12-a	Stem Extension - Hot	A517000H
12-b	Stem Extension - Cold	A517000C
13	Washerless Cartridge	A507043N
14	Seat	A101000N
15	Spring	A005000
16	Diverter Cartridge	A501016
17	Supply Nut Insert	A603668
18	O-Ring	A004064N
19	Plug	A028004
20	Hex Wrench	A031000
21	Spout	A118014